

Elevated Obstacle Light

LED OBSTACLE LIGHT RADIO RECEIVER

The Obstacle Light Radio Receiver is dedicated to establishing a wireless connection with the Master Radio Controller and enabling control and monitoring of LED Obstacle Light via the integrated antenna.

Key Features

- Wireless connection with Master Radio Controller up to 1km distance
- Secure radioconnection by 126bit encryption
- No control line necessary
- Optimized sealing concept against the intrusion of liquids and dust - IP 67 (IEC69598-1)
- 10 Cage clamp connectors
- Dry contact failure monitoring output
- CE certified

Design Concept

- Compact design with integrated antenna
- Simple mounting concept

Product Specifications

Mechanical Data

Height	116mm
Width	90mm
Depth	60.5mm
Net Weight	0.25kg
Packing Dimensions	190 x 190 x 160mm
Gross Weight	0.4kg
Material	PC (UV stabilized)
Protection Class	IP67 (IEC69598-1)
Recommended Mounting	4x M4 screws



Product Specifications

Electrical Data

Operating Voltage	24VDC \pm 4V	
Operating Current	Light on	250mA (24VDC)
Bias Current	50mA (24VDC)	
Cage Clamp	10x 0.75-1.5mm ²	
Cable Glands	Power Supply & Monitoring	Ø4 - 10mm
	Power Supply Main Light	Ø3.5 - 7mm
Cage Clamp Allocation	J1	Power Supply L1 (24VDC)
	J2	Power Supply L1 (0V, Ground)
	J3	Failure Output (normally open)
	J4	Power Output Obstacle Light (24VDC)
	J5	Power Output Obstacle Light (0VDC, Ground)
	J6	Monitoring Obstacle Light (normally open)
	J7	Unoccupied
	J8	Unoccupied
	J9	Unoccupied
	J10	Unoccupied
Receiver Sequence Setting	Receiver 1	Jumper 0: 0 / Jumper 1: 0
	Receiver 2	Jumper 0: 1 / Jumper 1: 0
	Receiver 3	Jumper 0: 0 / Jumper 1: 1
	Receiver 4	Jumper 0: 1 / Jumper 1: 1

Radiocommunication Data

Range	1km (Line of sight)
Security	128bit encryption
Interconnection	According IEEE 802.15.4/ 2003

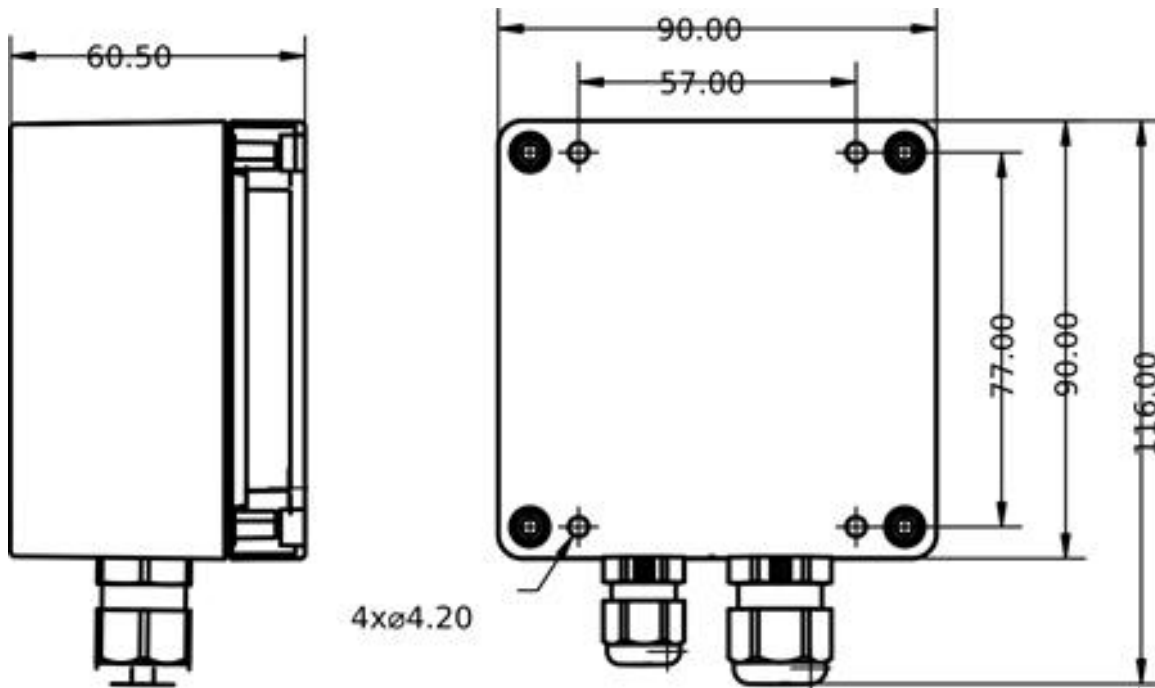
Environmental Data

Operating Temperature	-30°C to +55°C
Storage Temperature	-40°C to +85°C

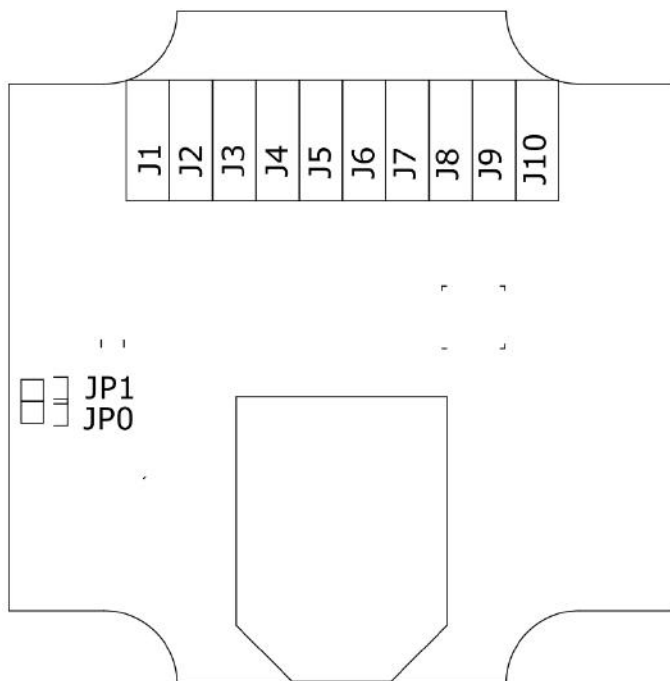
Accessories

LED Obstacle Light (2EL-OBS)
LED Obstacle Light Master Radio Controller (2EL-OBS-MRCTRL)
Single LED Obstacle Light Mounting Bracket (2EL-OBS-BR)

Dimensions



Cage Clamp Allocation Overview



Product Variants and Order Code

Order Code

2EL-OBS-RCTRL

Imprint

Adress	BATT Suisse GmbH Sonnentalstrasse 8 8600 Dübendorf Switzerland
--------	---

E-Mail	info@batt-suisse.ch
--------	---------------------

Telephone	+41 43 333 81 57
-----------	------------------

Website	www.batt-suisse.ch
---------	--------------------

Published	09.02.2022
-----------	------------

Copyright	BATT Suisse GmbH reserves the right to change technical data and details at any point in time. Errors may occur. All rights reserved. Publication, copying, distribution, exhibition, representation and/or reproduction in any form or utilization are explicitly prohibited without prior approval by BATT Suisse GmbH.
-----------	---
